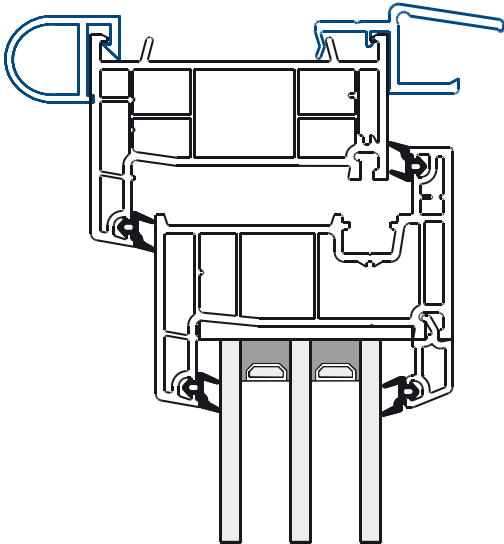


Kastendeckelaufnahmen



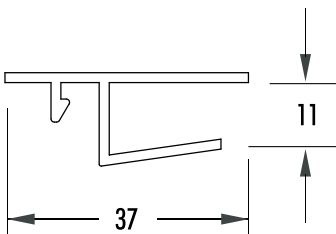
EINSATZZWECK

Sicheres Abrollen des Rollladens mit gleichzeitiger Verkleinerung des Luftspaltes.

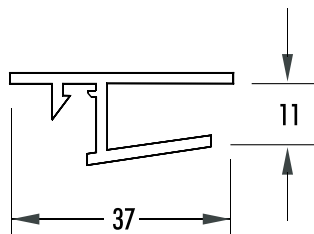
Aufnahme von Revisionsdeckeln – insbesondere bei bauseits vorhandenen Rollokästen.

Weitere Fenstersysteme auf Anfrage.

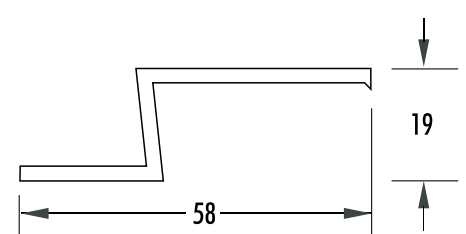
1.11



KAS 930
Schüco, Inoutic, Aluplast, KBE



KAS 934
Trocal, Veka



KAS 5819V
Veka

Artikelnummer	Artikelbezeichnung	A [mm]	B [mm]	C [mm]	D [mm]	Länge [m]	Farbe	VE	ME
KAS 930	Kastenaufnahme 37 x 11 mm	37			11	6	weiß	60	m
KAS 934	Kastenaufnahme 37 x 11 mm	37			11	6	weiß	60	m
KAS 5819V	Kastenaufnahme 58 x 19 mm	58			19	6	weiß	60	m

Systemübersicht

Artikelnummer	70 mm Energeto 4000	70 mm Energeto 5000	85 mm Energeto 8000	70 mm Ideal 4000	70 mm Ideal 5000	85 mm Ideal 7000	85 mm Ideal 8000	74 mm S7000IQ	74 mm S8000IQ	82,5 mm S7000IQ Plus	82,5 mm S9000IQ	71 mm Arcade	76 mm Prestige	76 mm Elegante	84 mm Eforte	70 mm	76 mm	88 mm	
ABR11524	<input type="radio"/>	<input type="radio"/>	<input type="radio"/>	<input type="radio"/>	<input type="radio"/>	<input type="radio"/>	<input type="radio"/>					<input type="radio"/>	<input type="radio"/>	<input type="radio"/>	<input type="radio"/>	<input type="radio"/>	<input type="radio"/>	<input type="radio"/>	
ABR964																			
ABR931	<input type="radio"/>	<input type="radio"/>	<input type="radio"/>	<input type="radio"/>	<input type="radio"/>	<input type="radio"/>	<input type="radio"/>							<input type="radio"/>		<input type="radio"/>	<input type="radio"/>	<input type="radio"/>	
ABR933												<input type="radio"/>			<input type="radio"/>				
ABR3325																			
ABR3525																			
ABR8625/1	<input type="radio"/>	<input type="radio"/>	<input type="radio"/>	<input type="radio"/>	<input type="radio"/>	<input type="radio"/>	<input type="radio"/>					<input type="radio"/>	<input type="radio"/>	<input type="radio"/>		<input type="radio"/>	<input type="radio"/>	<input type="radio"/>	
ABR8625/2	<input type="radio"/>	<input type="radio"/>	<input type="radio"/>	<input type="radio"/>	<input type="radio"/>	<input type="radio"/>	<input type="radio"/>					<input type="radio"/>	<input type="radio"/>	<input type="radio"/>		<input type="radio"/>	<input type="radio"/>	<input type="radio"/>	
ABR10537																			
ABR5021	<input checked="" type="radio"/>	<input checked="" type="radio"/>	<input checked="" type="radio"/>	<input checked="" type="radio"/>	<input checked="" type="radio"/>	<input checked="" type="radio"/>	<input checked="" type="radio"/>	<input checked="" type="radio"/>	<input checked="" type="radio"/>	<input checked="" type="radio"/>	<input checked="" type="radio"/>	<input checked="" type="radio"/>	<input checked="" type="radio"/>	<input checked="" type="radio"/>	<input checked="" type="radio"/>	<input checked="" type="radio"/>	<input checked="" type="radio"/>	<input checked="" type="radio"/>	
KAS930-SC	<input type="radio"/>	<input type="radio"/>	<input type="radio"/>	<input type="radio"/>	<input type="radio"/>	<input type="radio"/>	<input type="radio"/>										<input type="radio"/>	<input type="radio"/>	
KAS930-KBE	<input type="radio"/>	<input type="radio"/>	<input type="radio"/>	<input type="radio"/>	<input type="radio"/>	<input type="radio"/>	<input type="radio"/>												
KAS930-TH																			
KAS934	<input type="radio"/>	<input type="radio"/>	<input type="radio"/>	<input type="radio"/>	<input type="radio"/>	<input type="radio"/>	<input type="radio"/>									<input type="radio"/>	<input type="radio"/>	<input type="radio"/>	
KAS5819V								<input checked="" type="radio"/>	<input checked="" type="radio"/>			<input checked="" type="radio"/>	<input checked="" type="radio"/>	<input checked="" type="radio"/>		<input checked="" type="radio"/>	<input checked="" type="radio"/>	<input checked="" type="radio"/>	
	Aluplast							Gealan				Deceunick (Inoutic, Thyssen)				Profine (KBE, Kömmerling, Trocal)			

Die Profile passen bei diesen Systemen des unten angegebenen Herstellers.

- Revisionswinkel (Z-Profil) für ROLL960-2B/AR960: Muss verschraubt werden.
- Z-Profil: Muss verschraubt werden.

Die Profile passen bei diesen Systemen des unten angegebenen Herstellers.

	70 mm Brilliant Design	70 mm Euro Design	80 mm Synego	86 mm Geneo	70 mm Castello (Weru)	70 mm Sereno (Weru)	86 mm Afino ONE (Weru)	86 mm Afino TEC (Weru)	73 mm bluEvolution	76 mm 3D	76 mm Streamline	82 mm bluEvolution	92 mm bluEvolution	70 mm Corona ST	82 mm Corona SI	82 mm Living	70 mm Softline	70 mm Swingline	76 mm Softline	82 mm Softline	82 mm Artline	
	<input type="checkbox"/>	<input type="checkbox"/>	<input type="checkbox"/>	<input type="checkbox"/>	<input type="checkbox"/>	<input type="checkbox"/>	<input type="checkbox"/>	<input type="checkbox"/>				<input type="checkbox"/>		<input type="checkbox"/>	<input type="checkbox"/>	<input type="checkbox"/>	<input type="checkbox"/>	<input type="checkbox"/>	<input type="checkbox"/>	<input type="checkbox"/>	<input type="checkbox"/>	<input type="checkbox"/>
									<input type="checkbox"/>			<input type="checkbox"/>		<input type="checkbox"/>	<input type="checkbox"/>	<input type="checkbox"/>	<input type="checkbox"/>	<input type="checkbox"/>	<input type="checkbox"/>	<input type="checkbox"/>	<input type="checkbox"/>	<input type="checkbox"/>
												<input type="checkbox"/>		<input type="checkbox"/>	<input type="checkbox"/>	<input type="checkbox"/>	<input type="checkbox"/>	<input type="checkbox"/>	<input type="checkbox"/>	<input type="checkbox"/>	<input type="checkbox"/>	<input type="checkbox"/>
									<input type="checkbox"/>			<input type="checkbox"/>		<input type="checkbox"/>	<input type="checkbox"/>	<input type="checkbox"/>	<input type="checkbox"/>	<input type="checkbox"/>	<input type="checkbox"/>	<input type="checkbox"/>	<input type="checkbox"/>	<input type="checkbox"/>
	<input checked="" type="checkbox"/>	<input checked="" type="checkbox"/>	<input checked="" type="checkbox"/>	<input checked="" type="checkbox"/>	<input checked="" type="checkbox"/>	<input checked="" type="checkbox"/>	<input checked="" type="checkbox"/>	<input checked="" type="checkbox"/>	<input checked="" type="checkbox"/>	<input checked="" type="checkbox"/>	<input checked="" type="checkbox"/>	<input checked="" type="checkbox"/>	<input checked="" type="checkbox"/>	<input checked="" type="checkbox"/>	<input checked="" type="checkbox"/>	<input checked="" type="checkbox"/>	<input checked="" type="checkbox"/>	<input checked="" type="checkbox"/>	<input checked="" type="checkbox"/>	<input checked="" type="checkbox"/>	<input checked="" type="checkbox"/>	<input checked="" type="checkbox"/>
	<input type="checkbox"/>	<input type="checkbox"/>	<input type="checkbox"/>	<input type="checkbox"/>	<input type="checkbox"/>	<input type="checkbox"/>	<input type="checkbox"/>	<input type="checkbox"/>					<input type="checkbox"/>	<input type="checkbox"/>	<input type="checkbox"/>	<input type="checkbox"/>	<input type="checkbox"/>	<input type="checkbox"/>	<input type="checkbox"/>	<input type="checkbox"/>	<input type="checkbox"/>	<input type="checkbox"/>
														<input type="checkbox"/>	<input type="checkbox"/>	<input type="checkbox"/>	<input checked="" type="checkbox"/>	<input checked="" type="checkbox"/>	<input checked="" type="checkbox"/>	<input checked="" type="checkbox"/>	<input checked="" type="checkbox"/>	<input checked="" type="checkbox"/>
Rehau																						
Weru																						
Salamander																						
Schüco																						
Veka																						

- Revisionwinkel (Z-Profil) für ROLL960-2B/AR960: Muss verschraubt werden.
- Z-Profil: Muss verschraubt werden.